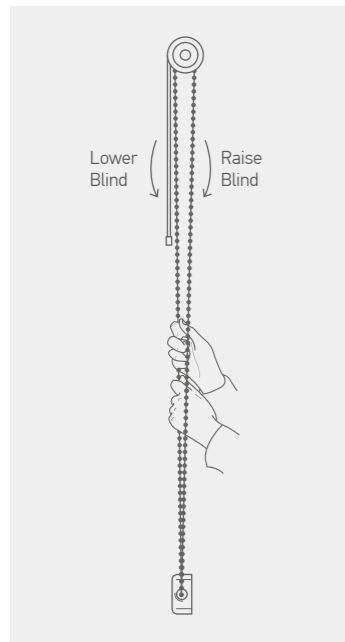


PLEASE READ THE INSTRUCTIONS BEFORE OPERATING THIS PRODUCT

STANDARD ROLL

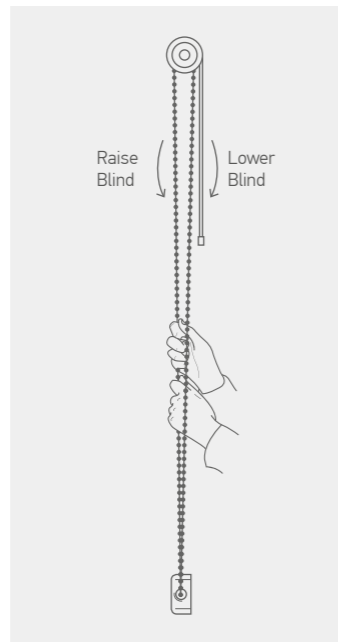
(Fabric unrolls from behind blind)

1. To lower the fabric on the roller blind gently pull the operating chain closest to the window.
2. To raise the fabric on the roller blind gently pull the operating chain furthest from the window.
3. Where possible operating chain should be operated from just above the chain connector as this puts less pressure on this component, reducing the risk of snapping or pulling apart.

**REVERSE ROLL**

(Fabric unrolls from front of blind)

1. To lower the fabric on the roller blind gently pull the operating chain furthest from the window.
2. To raise the fabric on the roller blind gently pull the operating chain closest to the window.
3. Where possible operating chain should be operated from just above the chain connector as this puts less pressure on this component, reducing the risk of snapping or pulling apart.

**MAINTENANCE**

The product is maintenance free however we recommend that regular visual checks are completed to ensure that no components have been damaged, which could result in operating difficulties and/or cause a safety risk.

If any maintenance is required we recommend that the work is carried out immediately, by a reputable blind company.



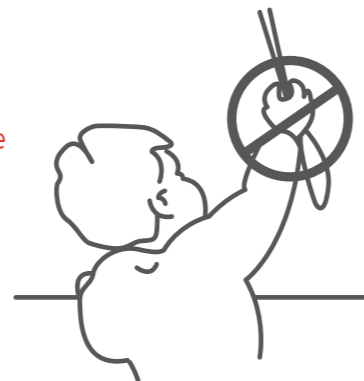
make it safeTM

WARNING

Young children can be strangled by loops in pull cords, chains, tapes and inner cords that operate the product.

To avoid strangulation and entanglement, keep cords out of the reach of young children. Cords may become wrapped around a child's neck. Move beds, cots and furniture away from window covering cords.

Do not tie cords together. Make sure cords do not twist and create a loop.

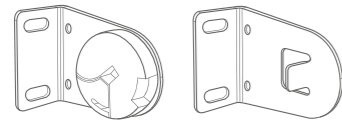


Roller Blinds Fitting Instructions

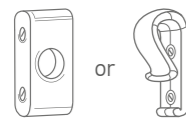
YOU SHOULD HAVE

ROLLER ITEM LIST

Brackets



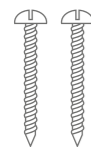
Safety device



Wood screws for brackets
(2 per bracket)



Safety device screws x 2



TOOLS REQUIRED

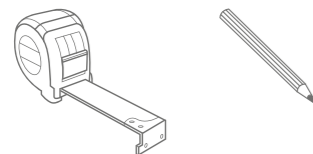
Screw driver

Drill



Tape measure

Pencil



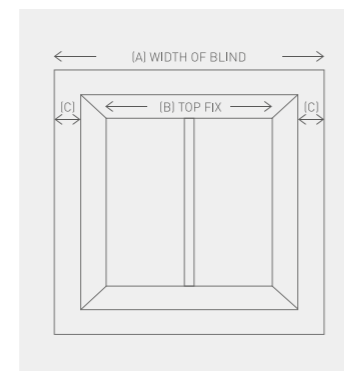
STEP 1

OUTSIDE RECESS

If the blind is to be fitted outside the window ensure that measurement C is the same. Follow instructions for FACE FIXING. To calculate C $(A-B)/2$.

INSIDE RECESS

TOP FIX to the lintel. FACE FIX bracket to the window frame.

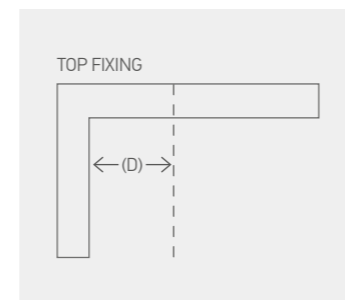


STEP 2

TOP FIXING

Measure and mark the distance (D), allowing for obstructions like handles that protrude into the recess area. Hold each bracket into place and mark the hole positions. Fit each bracket using the screws provided.

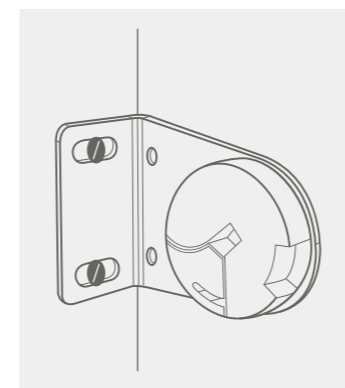
Please ensure fixings are suitable for the wall/surface to which you are mounting the brackets.



FACE FIXING

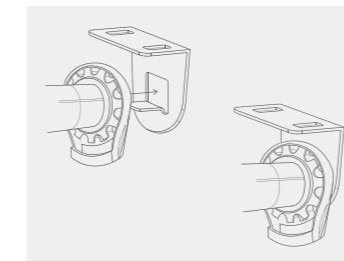
Hold each bracket into place and mark the hole positions.

Fit each bracket using the screws provided. Please ensure fixings are suitable for the wall/surface to which you are mounting the brackets.



STEP 3

Holding the blind, insert the sidewinder into the bracket as shown below.



With the sidewinder end in place, insert the idle end into the slot on the bracket.

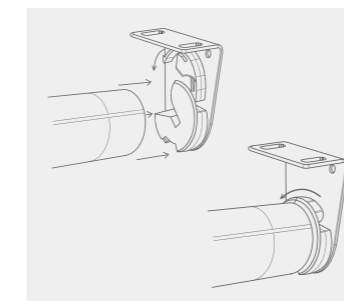
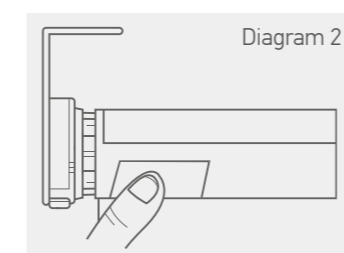
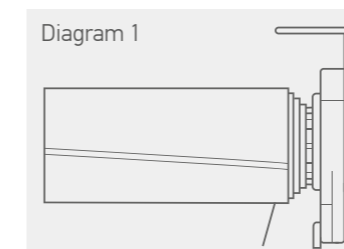


Diagram 1 below shows the fabric running off from the right-hand side of the blind. To correct the run-off, unroll the fabric, place a 25mm piece of sticky tape onto the tube (Diagram 2) at the opposite end of the blind to the run-off. Fully wind the blind up. Repeat until the fabric is no longer running-off.



STEP 4

SAFETY DEVICE

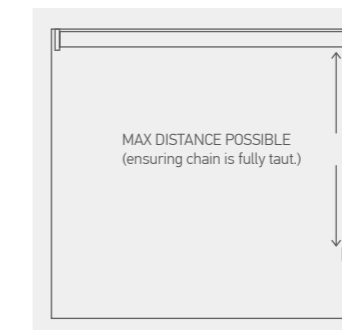
The safety device must be installed at the maximum distance possible from the control mechanism to prevent looped chain becoming slack.

Place the safety device on the wall and mark the positioning of the 2 screw holes.

Drill holes using a suitable drill bit.

Place device into position ensuring the chain is fully taut. Screw into position ensuring device is fully closed.

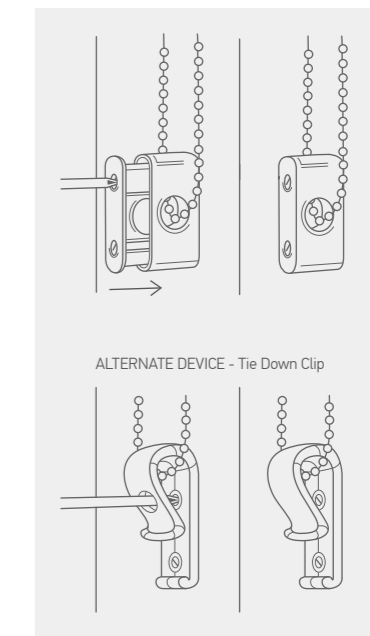
(If your blind is supplied with a child safe easy break chain connector, there is no requirement to fit an additional child safety device- steps 4 and 5 can be skipped)



STEP 5

RETAINING DEVICE

Attach retaining device using suitable fixings ensuring the device is fully closed.



Children can strangle if a safety device is not installed. Always use a safety device to keep cords or chains out of reach of children.